



## Test Accessories

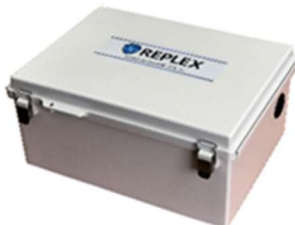
### ● Capacitive Coupler-1Line (HEMP-CCA-1L)

| Figure  | Parameter                  | Value               |
|---|----------------------------|---------------------|
|  | Model Name                 | HEMP-CCA-1L         |
|   | Standard                   | MIL-STD-188-125-1&2 |
|   | Normal voltage (DC-400Hz)  | 230V                |
|   | Normal Current (DC-400Hz)  | 60A                 |
|   | Number of lines            | 1                   |
|   | Max. Pulse Voltage (500ns) | 80KV                |
|   | Max. DC Voltage            | 35kV                |
|   | Max. Peak Current          | 5KA                 |
|   | Connector                  | Connecting bars     |
|   | Dimensions(L x W x H)      | 30×40×18cm          |
|   | Weight                     | 1.5kg               |


### ● Capacitive Coupler-4Line (HEMP-CCA-4L)

| Figure  | Parameter                  | Value               |
|---|----------------------------|---------------------|
|  | Model Name                 | HEMP-CCA-4L         |
|   | Standard                   | MIL-STD-188-125-1&2 |
|   | Normal voltage (DC-400Hz)  | 230V                |
|   | Normal Current (DC-400Hz)  | 60A                 |
|   | Number of lines            | 4                   |
|   | Max. Pulse Voltage (500ns) | 80kV                |
|   | Max. DC Voltage            | 35kV                |
|   | Max. Peak Current          | 5kA                 |
|   | Connector                  | Connecting bars     |
|   | Dimensions(L x W x H)      | 50×60×22cm          |
|   | Weight                     | 7.3kg               |


● **Isolation Device-1Line (HEMP-DCA-1L)**

| Figure  | Parameter                  | Value               |
|---|----------------------------|---------------------|
|  | Model Name                 | HEMP-DCA-1L         |
|   | Standard                   | MIL-STD-188-125-1&2 |
|   | Normal voltage (DC-400Hz)  | 230V                |
|   | Normal Current (DC-400Hz)  | 10A                 |
|   | Number of lines            | 1                   |
|   | Max. Pulse voltage (500ns) | 80kV                |
|   | Max. Peak current          | 5kA                 |
|   | Signal cut-off frequency   | 3kHz(-3dB)          |
|   | Connector                  | Connecting bars     |
|   | Dimensions(L x W x H)      | 17×27×11cm          |
|   | Weight                     | 3kg                 |


● **Isolation Device-4Line(HEMP-DCA-4L)**

| Figure  | Parameter                  | Value               |
|---|----------------------------|---------------------|
|  | Model Name                 | HEMP-DCA-4L         |
|   | Standard                   | MIL-STD-188-125-1&2 |
|   | Normal voltage (DC-400Hz)  | 230V                |
|   | Normal Current (DC-400Hz)  | 10A                 |
|   | Number of lines            | 4                   |
|   | Max. Pulse voltage (500ns) | 80kV                |
|   | Max. Peak current          | 5kA                 |
|   | Signal cut-off frequency   | 3kHz(-3dB)          |
|   | Connector                  | Connecting bars     |
|   | Dimensions(L x W x H)      | 40×50×22cm          |
|   | Weight                     | 13kg                |


● **Inductive Coupler (HEMP-ICA-65D)**

| Figure  | Parameter                         | Value               |
|---|-----------------------------------|---------------------|
|  | Model Name                        | HEMP-ICA-65D        |
|   | Standard                          | MIL-STD-188-125-1&2 |
|   | Max. Pulse voltage (500ns)        | 100kV               |
|   | Max. Peak current                 | 5kA                 |
|   | Max. diameter of the tested cable | 65mm                |
|   | Connector                         | Ring terminals      |
|   | Dimensions(L x W x H)             | 85×25×25cm          |
|   | Weight                            | 55kg                |

● **Dummy Load-2Ω (HEMP-DLA-2R)**

| Figure  | Parameter                   | Value                       |
|---|-----------------------------|-----------------------------|
|  | Model Name                  | HEMP-DLA-2R                 |
|   | Standard                    | MIL-STD-188-125-1&2         |
|   | Resistance Value            | 2Ω                          |
|   | Precision of the resistance | ±10%                        |
|   | Energy                      | 16kJ                        |
|   | Peak Voltage(Short Pulse)   | 30kV                        |
|   | Power                       | 70W                         |
|   | Connector                   | Screw terminal + banana 4mm |
|   | Dimensions(L x W x H)       | 22×15×9cm                   |
|   | Weight                      | 2kg                         |

● **Dummy Load-50Ω (HEMP-DLA-50R)**

| Figure  | Parameter                   | Value                       |
|---|-----------------------------|-----------------------------|
|  | Model Name                  | HEMP-DLA-50R                |
|   | Standard                    | MIL-STD-188-125-1&2         |
|   | Resistance Value            | 50Ω                         |
|   | Precision of the resistance | ±10%                        |
|   | Energy                      | 16kJ                        |
|   | Peak Voltage(Short Pulse)   | 30kV                        |
|   | Power                       | 70W                         |
|   | Connector                   | Screw terminal + banana 4mm |
|   | Dimensions(L x W x H)       | 22×15×9cm                   |
|   | Weight                      | 2kg                         |